

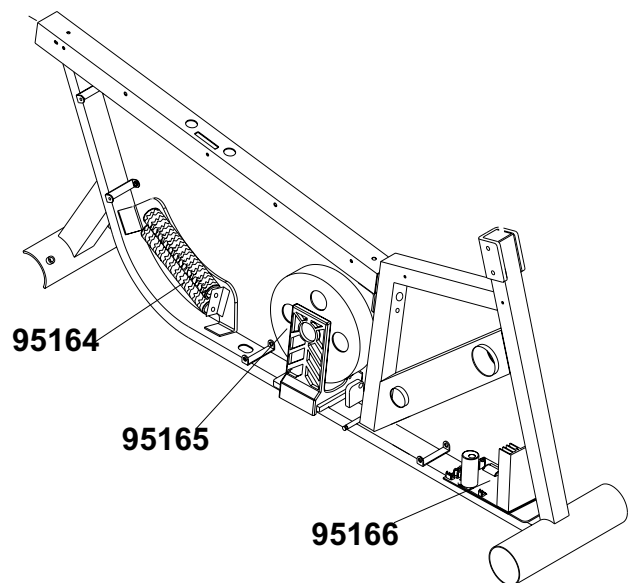


REF#	PART#	W/ GOLD BUTTONS	DESCRIPTION
1	94995	95680	FRAME
2	94996	95656	COMPUTER MAST
3	94997	95657	SEAT TUBE
4	95658		HANDRAIL
5	95160		REAR STABILIZER
6	98306		SEAT BACK PAD
7	98307		SEAT BOTTOM PAD
8	95943	95158	COMPUTER, 920
	95944	95194	COMPUTER, 920 HRC
9	95679		BRAKE EXTENSION WIRE
10	98156		PEDALS
11	94998		SEAT RAIL ENDCAP
12	94999	95663	COMPUTER WIRE
13	95145		BOTTLE CAGE, SILVER
14	95664		COMPUTER HARDWARE 12 PCS.
15	95047	95665	CONTROLLER WIRE 900L 6 PIN
16	98137		PEDAL STRAP SET
17	93148		WASHER 5.5 X 13 X 1.0 T
20	95666		SEAT HARDWARE SET 36 PCS.
21	95667		SHROUD HARDWARE SET 35 PCS.
22	95456		NYLON NUT M6 X 1.0
23	98437	95163	WASHER M6 6.5 X 13 X 1T
24	95668		SEAT STOP
25	98438		SELF TAPPING SCREW M5 X 15L
26	95048		SCREW M6 X 1.0 X 105L
27	95880		HEX HEAD BOLT M8 X 1.25 X 90L
28	98440		ALLEN BOLT M8 X 1.25 X 16L
30	95169		COMPUTER BRACKET END CAP
31	95669		GRIPS, HANDLEBAR
34	95623		SPRING WASHER SW8
35	95049	95671	HANDLEBAR SHROUD CAP
36	95672		GRIPS, HANDRAIL W/PLUGS
38	98522		WASHER 8.4 X 17 X 2.0T
40	95882		SCREW M5 X 0.8 X 15L
41	98441		WASHER M6 6.2 X 19 X 2T
42	98442		HEX BOLT M6 X 1.0 X 16L
43	95675		SEAT RAIL FRONT COVER
44	95050		DRIVE BELT 8PJ813 8V X 813L
45	95174		INTERMEDIATE PULLEY 175 X 22W
46	95196		WASHER 15 X 29 X 2t
47	95197		INTERMEDIATE BEARING NK 15/16
48	95477		WASHER 16 X 22.8 X 3t
49	95191		C RING 15MM I.D.
50	95051		INTERMEDIATE FREEWHEEL CUP
51	95472		16T FREEWHEEL
52	98443		WASHER M8 8.5 X 19 X 1T
53	91731		NYLON NUT M8 X 1.25
54	95949		CONTROLLER
56	93562		SPRING WASHER SW6
61	95189		BOTTOM BRACKET SET
62	95192		CRANK BEARING 6005 RS
64	95473		52T SPROCKET
65	95951	95175	CHAIN
66	95183		CRANK WITH SPROCKET
67	95681		SEAT LOCKING BLOCK
70	95659		SEAT RAIL
73	98295	95165	BRAKE
74	98527		HEX BOLT M10 X 1.5 X 35L
75	95052	95677	LEFT SHROUD
76	95053	95678	RIGHT SHROUD
77	93229		ROUND HEAD SCREW M5 X 0.8 X 12L
79	98447		SEAT TUBE PLUG
82	95576		STABILIZER END CAP
83	95577		LEVELER NUT
84	90595		LEVELER FOOT
85	98525		ALLEN BOLT M6 X 1X 16L
88	95682		SEAT LOCKING LEVER
89	95683		SEAT GUIDE ROLLER
90	95684		SEAT WHEEL
91	97970		BEARING 608Z
93	93929		NUT 10 X 1.5
94	93930		FLANGE NUT M8 X 1.25
96	95606		SCREW M4 X 12L
97	98448		GUIDE ROLLER BRACKET
100	98449		SEAT ASSEMBLY HARDWARE 23 PCS.
101	95686		SPRING SLEEVE 6.2 X 14.5 X 13
102	95687		GUIDE ROLLER SLEEVE 8.2 X 12.7 X 101L



Current models of 920 / 920 HRC use a computer with silver buttons. Earlier models used load resistors (see illustration below) and had gold buttons on the computer. These models also used a different frame, handlebar mast, and seat post. If you have a computer with gold buttons and resistors, you will need to use the following parts for replacement.

Brake	95165
Computer	95158
Computer with Heart Rate	95194
Controller	95166
Load Resistors	95164
Frame	95680
Handlebar Mast	95656
Computer Wire	95663
Controller Wire	95665





REF#	PART#	DESCRIPTION
103	95685	SEAT WHEEL CAM AXLE
104	95689	SPRING 20 X 15 X 12.5L
105	93928	WASHER 10.7 X 16 X 2.0 T
106	95182	TRANSPORT WHEEL SLEEVE
107	95187	TRANSPORT WHEEL
108	95199	WASHER M8 8.5 X 26 X 2.5T
109	95606	SCREW M4 X 12L
110	95198	HEX BOLT M8 X 1.25 X 16L
111	97958	SEAT ADJUSTING BRACKET
113	95688	GUIDE ROLLER SPACER 8.2 X 12.7 X 10L
118	93933	HEX BOLT 8 X 1.25 X 150 L
119	93931	HEX BOLT 6 X 1.0 X 70 L
	92953	QUALITY SEAL
	95799	HARDWARE PACK
	95008	DECAL SET
	95009	920 OWNER'S MANUAL
	95010	920 HRC OWNER'S MANUAL
	93038	920 SELL SHEET
	93039	920 HRC SELL SHEET